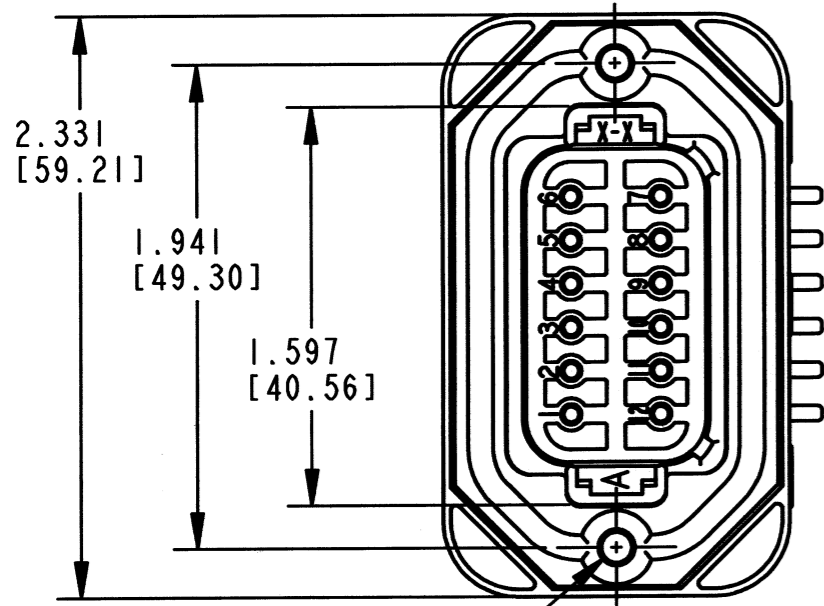
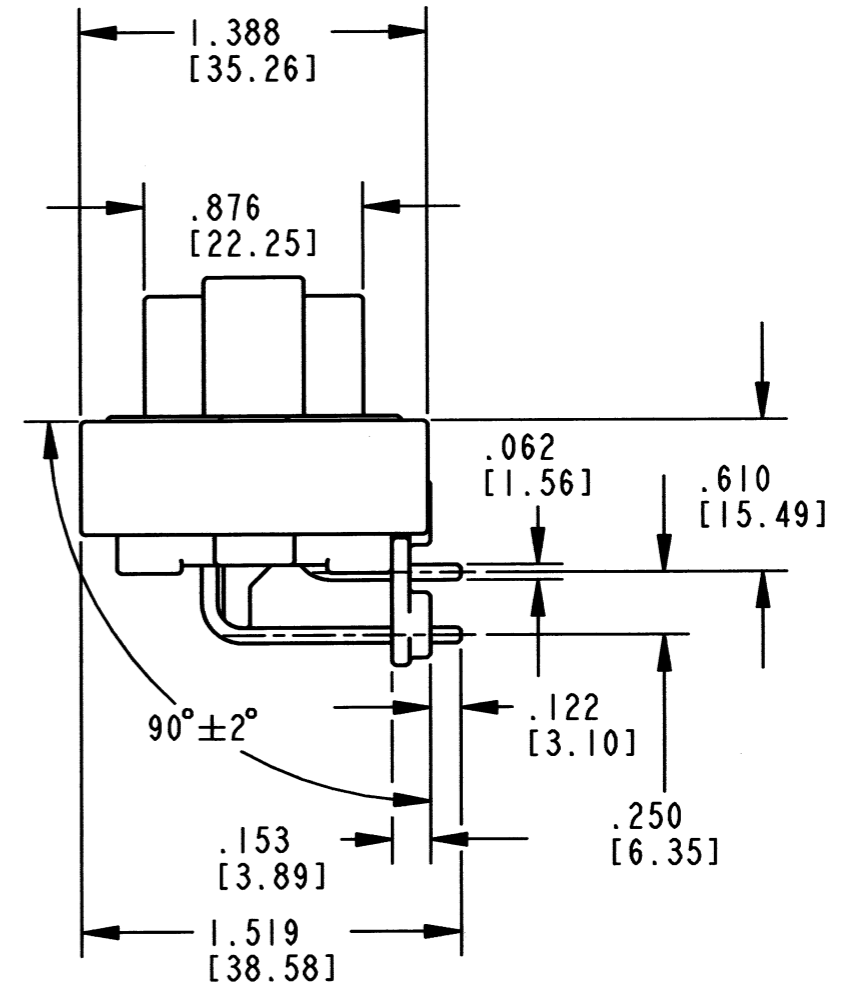
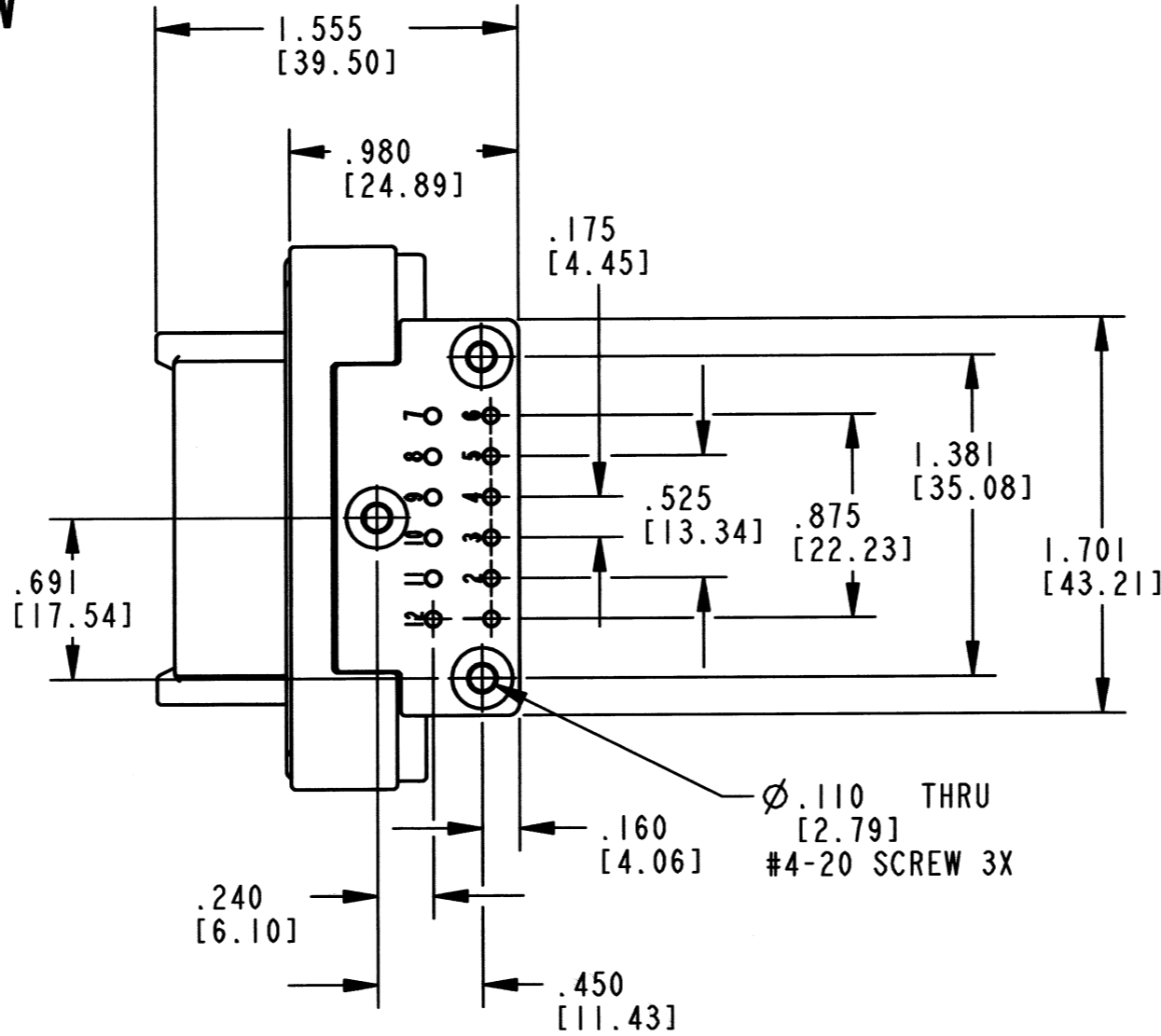


3D VIEW



Ø.122 [3.10]
BLIND HOLE
▽.440 [1.18]
#6-19 SCREW 2X



REV B DT13-12P*-G003

REVISIONS			
SYM	DESCRIPTION	DATE	APPROVED
NC	NEW RELEASE PER E.O. P17348	9/24/01	R.D.R.
A	REVISED PER E.O. P19196	6/13/06	R.D.R.
B	REVISED PER E.O. P21065	8-26-11	RDR

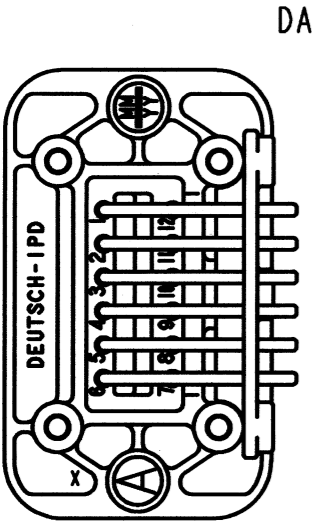
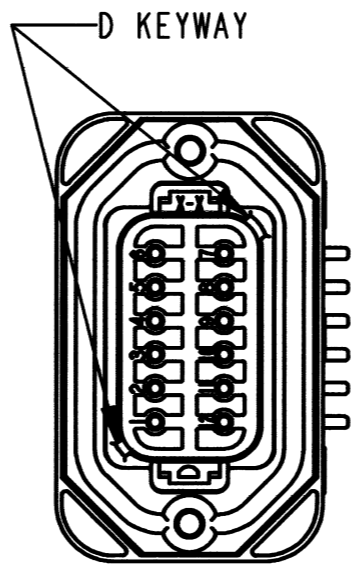
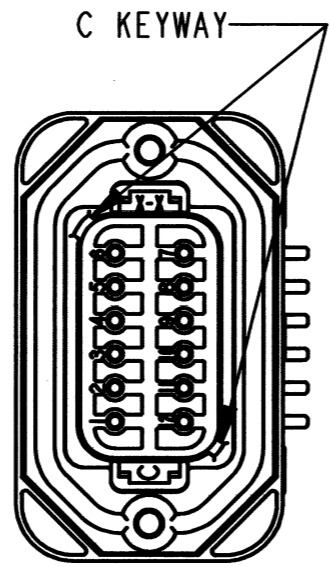
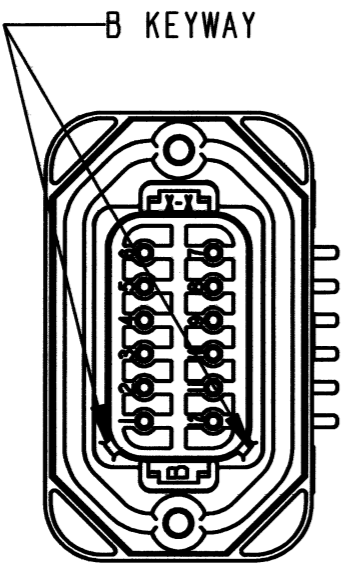
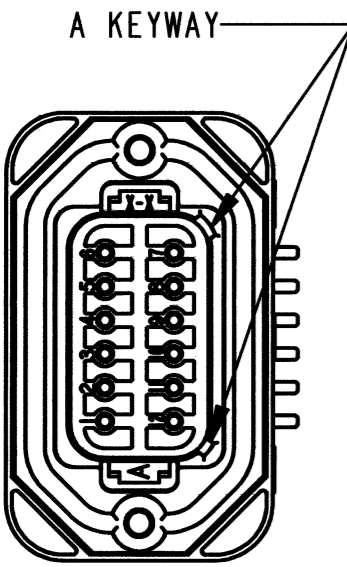
6. RECOMMENDED TORQUE VALUES ARE AS FOLLOWS: #6-19 SCREWS: 10-20 IN LB. [1.13-2.26 N-m]. #4-20 SCREWS: 6-10 IN LB. [.678-1.13 N-m]
5. MOUNTING HOLES WILL ACCEPT CAMCAR PLASTITE SELF THREAD SCREWS (NOT INCLUDED). EXAMPLE: #6-19, #4-20.
4. THIS RECEPTACLE MATES WITH DT06-12S* PLUG -****- ALL MODIFICATIONS.
3. SHELL MATERIAL: PLASTIC; FLANGE SEAL MATERIAL: RUBBER.
2. DIMENSION TOLERANCE ±.025 [1.64]. FOR PANEL CUTOUTS ±.010 [1.25].
1. DIMENSIONS SHOWN IN INCHES [MILLIMETERS].

NOTES:

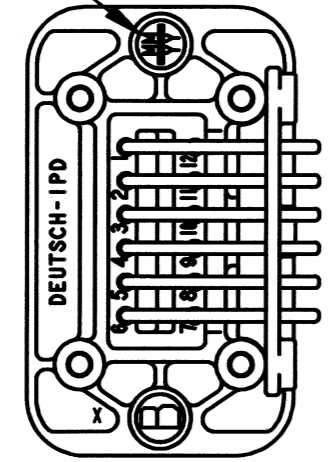
SIGNATURE & DATE		PCB MOUNT RECEPTACLE 12 - PIN 90° -G003 MOD DT SERIES	EP	MATL. CODE
DR	P. BURKE 09/21/01		3850 INDUSTRIAL AVE. HEMET, CA 92545	
CHK	<i>[Signature]</i> 8/26/2011	ENVELOPE	DEUTSCH INDUSTRIAL	
PE	<i>[Signature]</i> 8/15/11		B DT13-12P*-G003	
APPD	<i>[Signature]</i> 8/26/11	DWG SIZE	CODE 11139	SHEET 1 OF 2
SCALE	NONE	WT		

REV
B DT13-12P*-G003

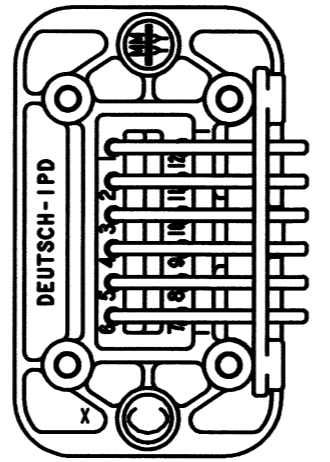
REVISIONS			
SYM	DESCRIPTION	DATE	APPROVED
B	SEE SHEET ONE	8-26-11	<i>ADR</i>



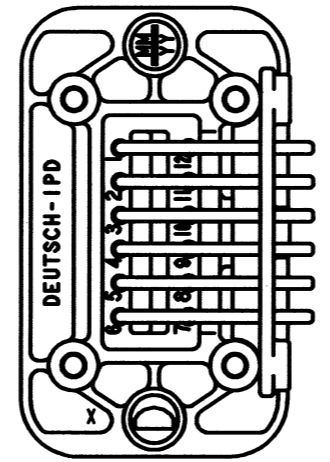
DT13-12PA-G003
COLOR GREY



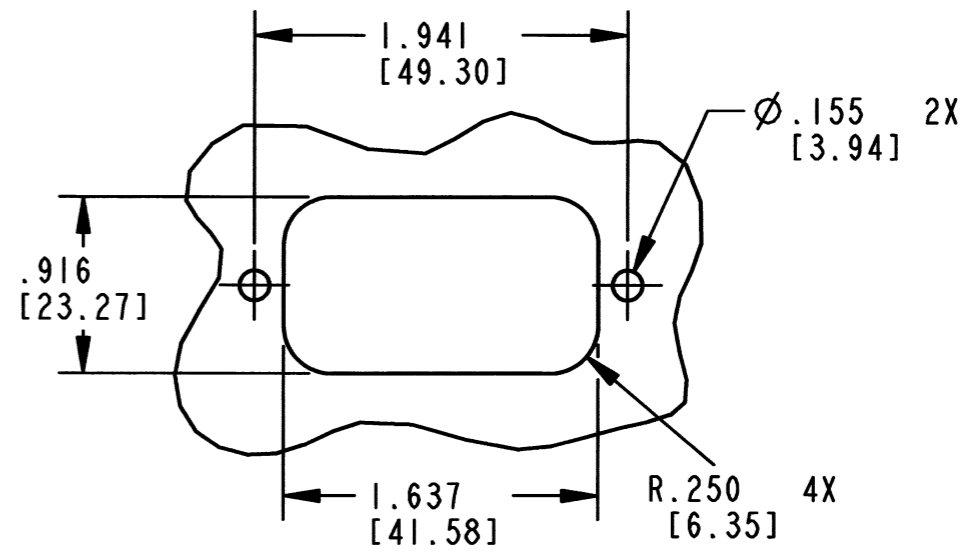
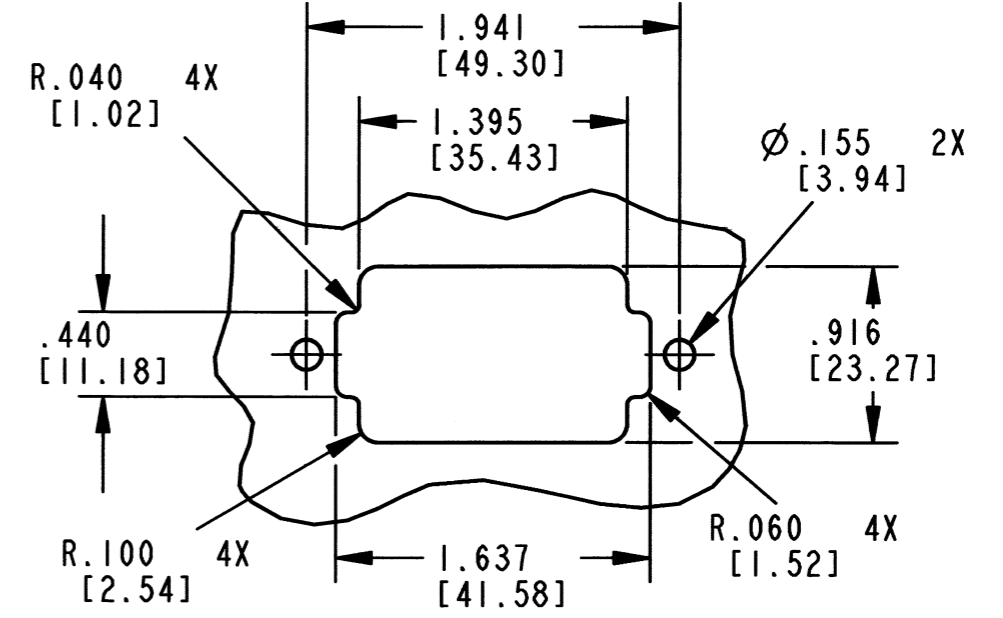
DT13-12PB-G003
COLOR BLACK



DT13-12PC-G003
COLOR GREEN



DT13-12PD-G003
COLOR BROWN



RECOMMENDED PANEL CUTOUTS

NOTES:

SIGNATURE & DATE	
DR	P. BURKE 09/21/01
CHK	<i>[Signature]</i> 8/26/01
PE	<i>[Signature]</i> 8/15/11
APPD	<i>[Signature]</i> 8/25/11
SCALE	NONE WT

PCB MOUNT RECEPTACLE
12 - PIN 90°
-G003 MOD
DT SERIES

ENVELOPE

EP	MATL. CODE
3850 INDUSTRIAL AVE. HEMET, CA 92545	
B	DT13-12P*-G003
DWG SIZE	CODE 11139 SHEET 2 OF 2